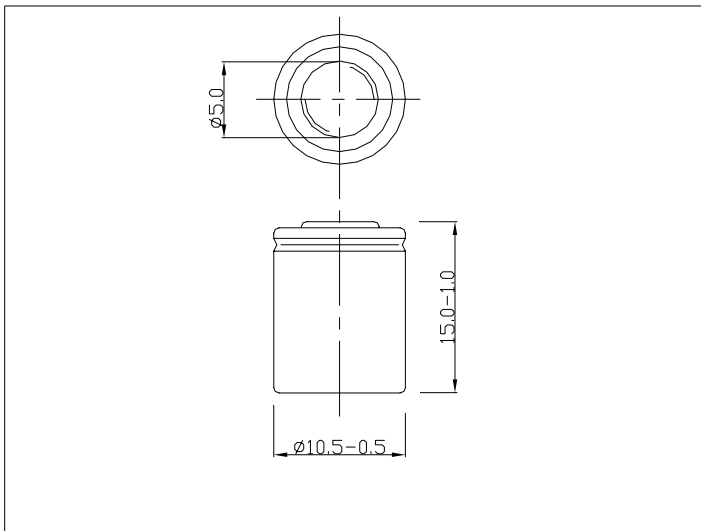


### Specifications of single cell

Nominal voltage		1.2V	
Capacity		0.2CA Discharge	1.0CA Discharge
	Typical	315min	58min
	Minimum	300min	54min
Dimensions		mm	
	Diameter	10.5 <sup>-0.5</sup>	
	Height	15.0 <sup>-1.0</sup>	
Weight(Approximately)		gram	
		3.8	
Internal Impedance At 1000 Hz		≤80mΩ ( After Charge )	
Charge	Standard	15mA(0.1CA)×16h	
	Rapid	150mA(1.0CA)×1.2h	
Ambient temperature		°C	
	Charge	standard	0°C to 45°C
		Rapid	10°C to 40°C
	Discharge	-20°C to 65°C	
	Storage	-20°C to 45°C	

### Dimensions with tube

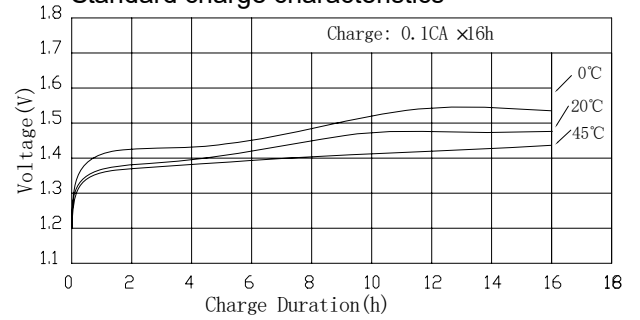


### Note:

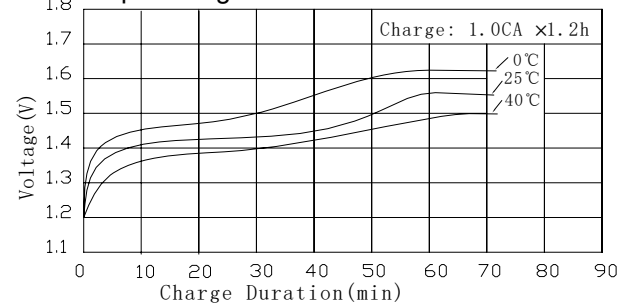
1. Nominal capacity, rated at 0.2CA 20°C.
2. Average capacity, for reference only.
3. Weight and internal impedance are For reference only.
4. Standard according as IEC of test cycle life.

### Typical characteristics

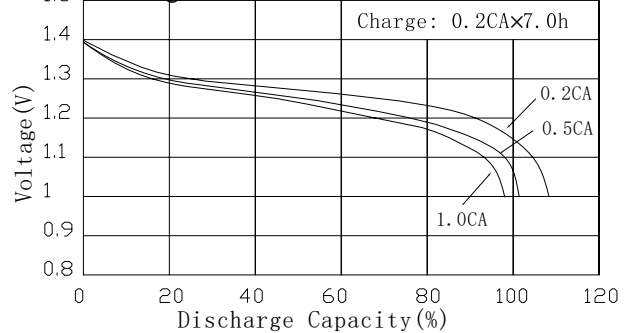
#### Standard charge characteristics



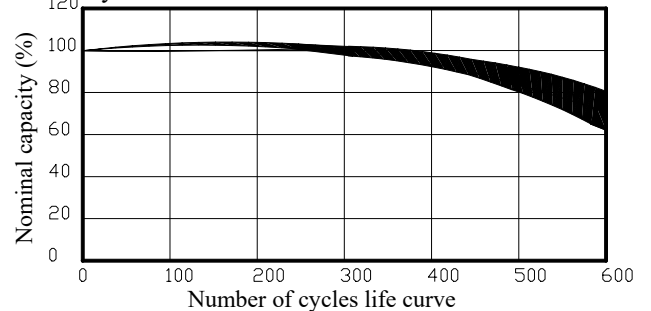
#### Rapid charge characteristics



#### Discharge characteristics



#### Cycle life characteristics



#### Charge retention curves of Ni-MH cylindrical cell at various storage temperature

